

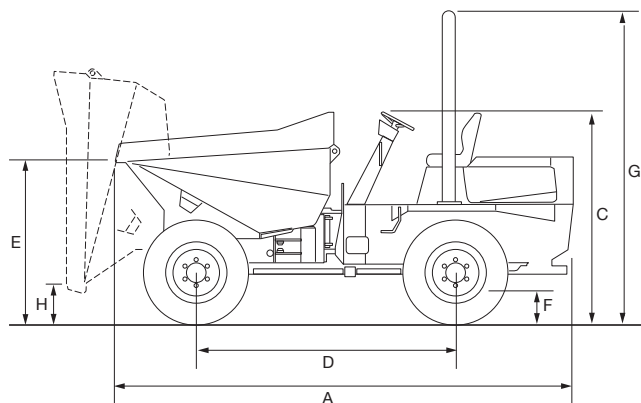
TEREX PT6000 SITE DUMPER

Performance

Payload	6,000 kg
Unladen weight	4,110 kg
Skip capacity - Water	1,950 ltr
- Struck	2,740 ltr
- Heaped	3,780 ltr
Engine	Perkins 1104D-44T
- Net power - kW (hp)	62.5 (84hp) at 2200rpm
- Capacity	4.4 litres (4400 cc)
- Maximum torque	353 Nm at 1400rpm
Tyre size	405/70-20-14PR
Drive	4/4 Powershuttle - permanent 4WD
Max travel speed - mph (kph)	16.8 (27.0)
Gradeability	25%
Fuel tank capacity	67 Litres
Hydraulic tank capacity	50 Litres

Hydraulic system (gear pump)

Flow rate	60 l/min
Operating pressure	172 bar



A	Total length	4,320 mm
B	Total width	2,350 mm
C	Height to top of steering wheel	2,160 mm
D	Wheelbase	2,450 mm
E	Height to front lip of Skip (untipped)	1,630 mm
F	Ground clearance	380 mm
G	Height to top of ROPS	2,910 mm
H	Height to front lip of bucket	360 mm
	Turning radius outside of bucket	5,600 mm
	Steering angle	+/- 30°
	Oscillation	+/- 10.5°
	Tipping type	Forward

Electrical System

Voltage	12 V
Battery	90 Ah
Alternator	95 A

Braking System

Foot Brake	Oil immersed discs on front/rear
Parking Brake	Ratchet parking break - dry disc (gearbox)